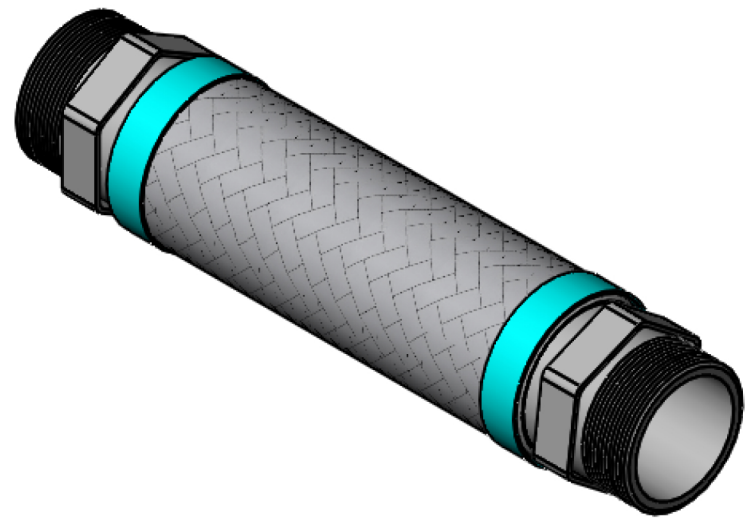
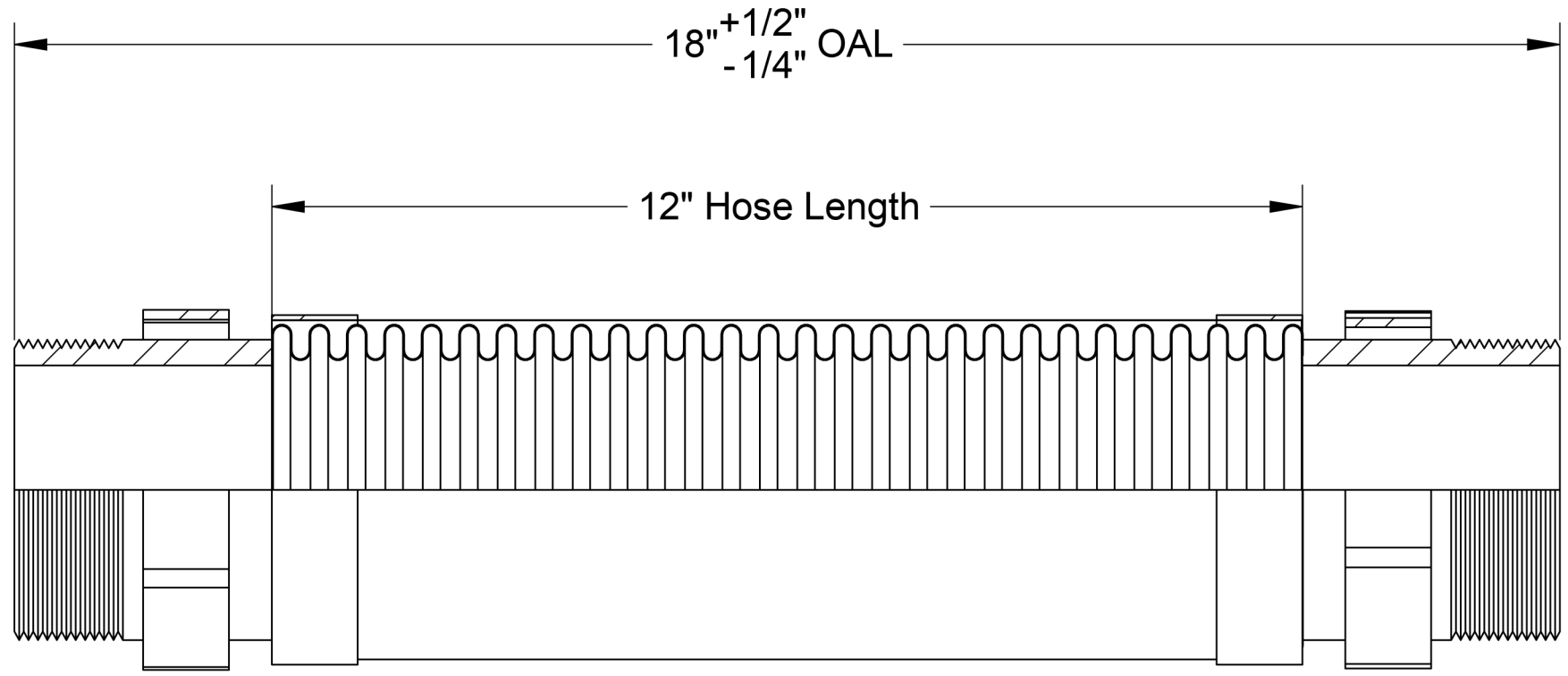



REVISIONS			
REV.	DESCRIPTION	DATE	APPROVED



ITEM #	QTY.	PART NUMBER	DESCRIPTION	MATERIAL	WEIGHT
1	1	HOSE	300 Series Stainless HYDROFORMED Corrugated Hose	Stainless Steel	1.26
2	1	BRAID	300 Series Stainless Steel	Stainless Steel	0.09
3	2	BRAID COLLAR	0.06" Thick	Stainless Steel	0.22
4	2	3" MALE	3" Male, 3"x8" Thread, 4" Hex	Carbon Steel	2.73

	HOSE MASTER Inc. 1233 East 222nd Street • Cleveland, Ohio 44117 (800) 221-2319 • Fax: (216) 481-7557 • www.hosemaster.com Locations: Cleveland • Houston		Registered to: ISO 9001 : 2000
			

Projection:	Customer: Hose Master Inc.	Prepared By: kannk
	Reference: Fire-Shield - 3" Male x 3" Male x 18" OAL	CALC. WEIGHT: 7 lbs. Date: 9/24/2009

Description: **3" ID x 18" OAL 300 Series Stainless HYDROFORMED Corrugated Hose covered by 300 Series Stainless Braid. UL Approved 3" Male Connectors**

Drawing #:	FSMM0300x18	Rev.:	-	SHEET	1 OF 1
------------	--------------------	-------	----------	-------	---------------

